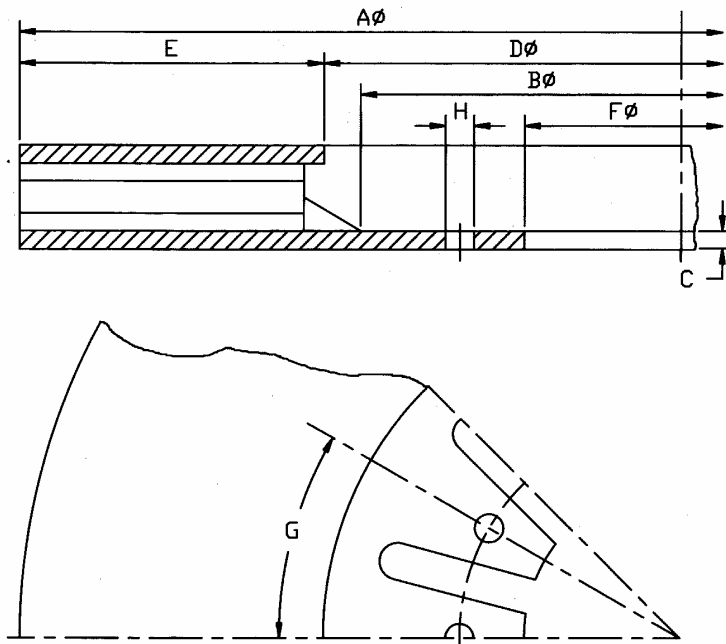


BRAKE DISC DETAILS FOR HIGH ENERGY INPUT

These discs were developed for medium to high energy input. The patented fin design offers the ultimate in heat transfer and air flow. This disc will accomplish tasks not possible with ordinary ventilated discs.

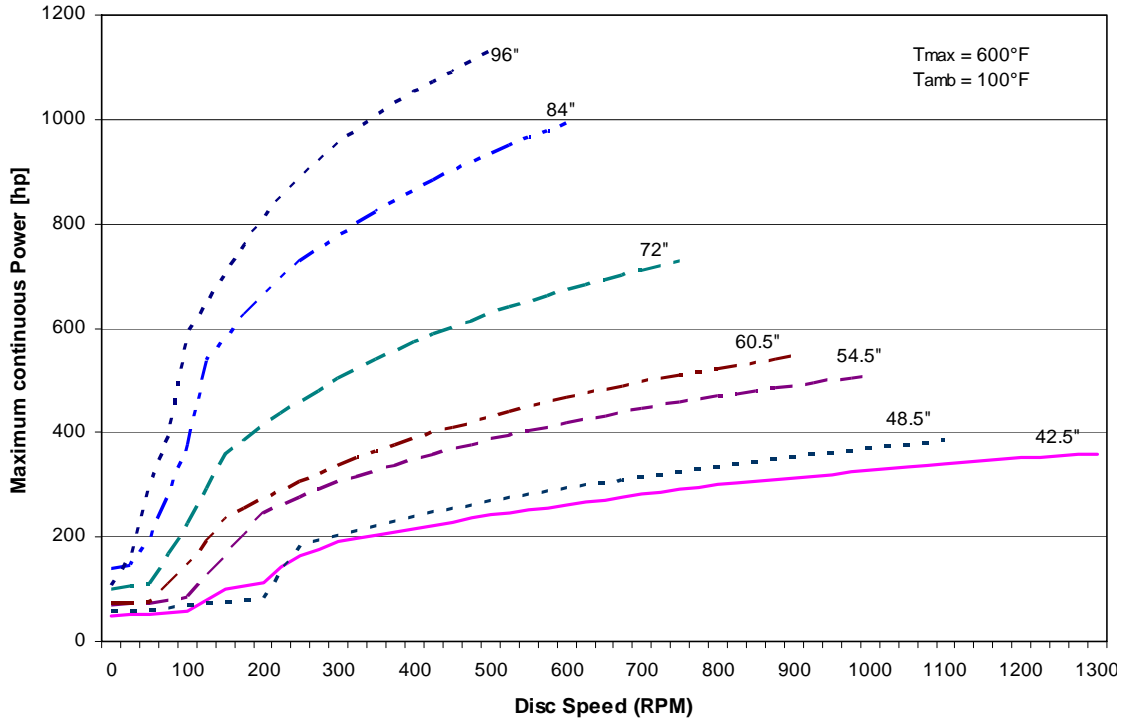


4" SERIES BRAKE DISCS

CALIPER NO.	5025, 5026, 5036				5040, 5054						
	4.00				4.00						
THICKNESS	4.00				4.00						
A	30.0	35.0	40.0	48.0	42.5	48.5	54.5	60.5	72.0	84.0	96.0
B	14.0	18.0	23.0	31.0	18.5	23.5	29.5	35.5	46.0	58.0	70.0
C	1.0	1.0	1.0	1.0	1.0	1.0	1.12	1.12	1.12	1.12	1.12
D	16.0	21.0	26.0	34.0	21.5	27.5	33.5	39.5	50.0	62.0	74.0
E FACE	7.0	7.0	7.0	7.0	10.5	10.5	10.5	10.5	10.5	10.5	10.5
F (MIN)	8.0	14.0	19.5	19-5/8	15.0	18.0	23-1/8	27.0	38.0	50.0	62.0
F (MAX)	11.0	16.0	21.0	29.0	17.5	23.5	25.0	31.0	42.0	54.0	66.0
G	30°	30°	20°	20°	30°	30°	18°	18°	15°	15°	15°
H	11/16	11/16	11/16	11/16	11/16	11/16	1-3/32	1-3/32	1-3/8	1-3/8	1-3/8
WR ² (lb-ft ²)	365	635	1010	1990	1160	2010	3010	4220	9170	16600	26900
ACTING RAD (ft)	0.96	1.17	1.37	1.71	1.33	1.58	1.83	2.08	2.54	3.04	3.54
WEIGHT (lb.)	380	460	530	690	620	790	890	980	1450	1860	2240
MAX. CONT. HP	65	80	100	120	140	170	195	220	280	340	400
CONT. HP 100 RPM	25	35	45	60	55	70	90	150	240	340	400
MAX. RPM	1800	1500	1300	1100	1300	1100	1000	900	700	600	500
HP-SEC (CONT. INPUT)	33000	40000	47000	60000	54000	69000	78000	86000	128000	163000	200000

NOTE: WR² and WEIGHT may vary slightly from values given in the table

Capacity for 4 x 10.5 Vented Discs



4" x 7" Brake Disc Performance

